

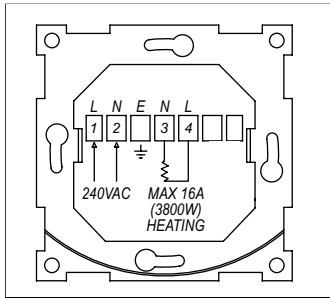
ELECTRICAL CONNECTION DETAIL



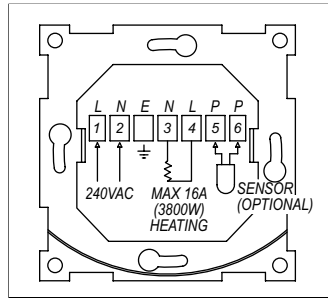
1800 85 75 65

info@speedheat.com.au
www.speedheat.com.au

CONNECTION DETAIL - THERMOSTAT

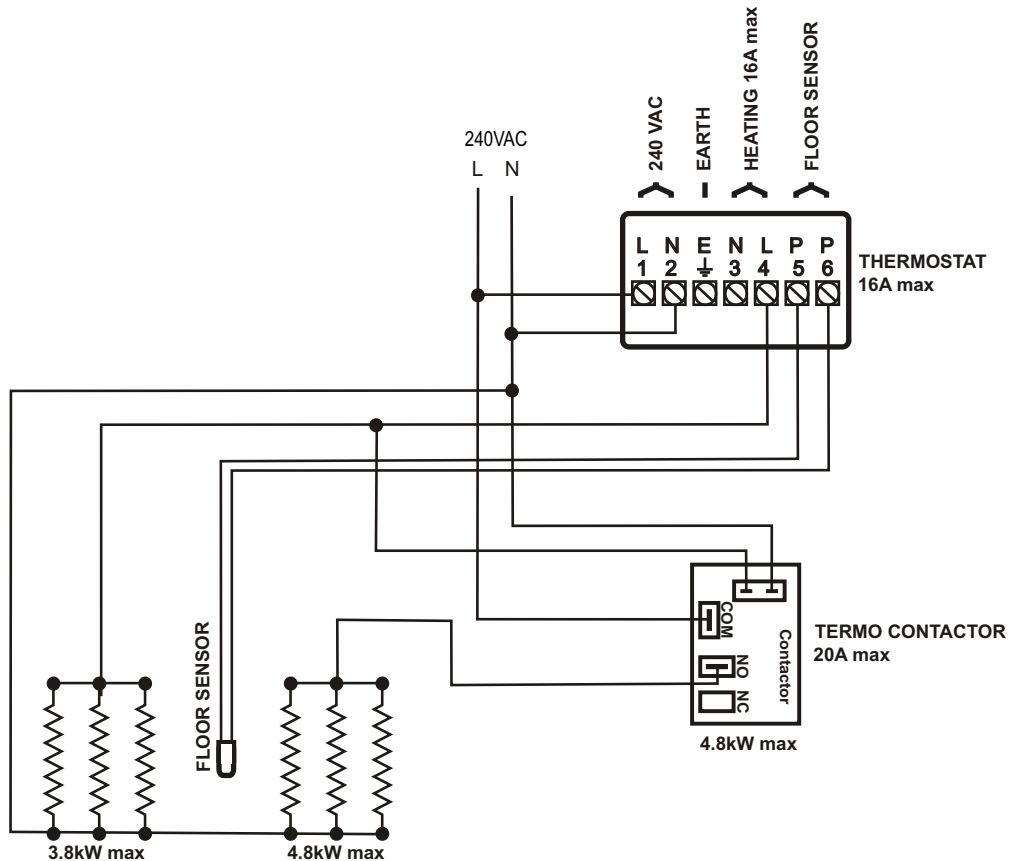


MTC-1999-SH



MTC-1991-SH & MCD2-1999-SH

CONNECTION DETAIL - THERMOSTAT & CONTACTOR



Electrical