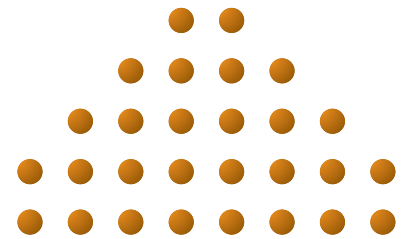


OJ Microline®
MCD4-UA



3
YEAR warranty

THERMOSTATS FOR COMFORT HEATING

4 Event Clock Thermostat

An "all-in-one" clock thermostat for electric underfloor heating control where optimum comfort temperature and minimum energy consumption are required.

- The thinnest clock thermostat on the market, only 20 mm, making it easy for the installer.
- Easy animated menu navigation and programming in 8 different languages. The programming is now child's play, ensuring the fastest and easiest set-up.
- Set and forget! Adaptive control ensuring comfort temperature at the required time.
- Compatible with existing floor sensors, making it the best thermostat for renovation purposes.

PRODUCT PROGRAMME

TYPE	PRODUCT
MCD4-1999-UA	All in one - Clock thermostat with built-in room sensor and floor limit sensor. The ideal service thermostat.
MCC4-1991-UA	Clock thermostat incl. floor sensor 3 m.
MCC4-1999-UA	Clock thermostat with built-in room sensor.

Thermostat control

Electronic thermostat for control of temperature by means of a sensor placed either externally in the floor or built into the thermostat. MCD4 can also operate in regulator mode (option). This is useful for renovation purposes where it is not possible to use a floor sensor.

Built-in clock - calendar with power backup

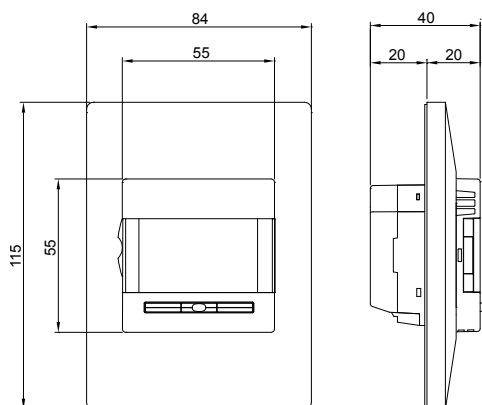
Comes with built-in 4-event program for automatic comfort and setback temperature. The clock and calendar have built-in battery backup, so the user never has to care about setting the clock after power interruption.

Graphical display

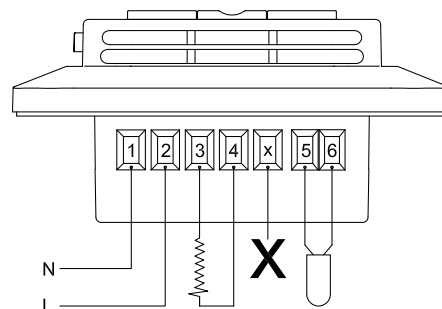
Unique user interface with new animated graphical menus and button based navigation for easy programming and readout of data.

Monitoring of energy consumption

Total switch-on time in percent and calculated cost can be read out for the last 2 days, 30 days or 365 days. Overall energy consumption can thus be monitored.



BR-0984-A15a
 © 2010 OJ Electronics A/S



BR0984A10a

Factory-set events

The thermostat is delivered with factory-set programs as detailed below:

DAY 1-5

EVENT TIME	TEMPERATURE
1 06:00-08:00	Comfort 20°C
2 08:00-16:00	Setback 15°C
3 16:00-23:00	Comfort 20°C
4 23:00-06:00	Setback 15°C

DAY 6-7

EVENT TIME	TEMPERATURE
1 06:00-23:00	Comfort 20°C
4 23:00-06:00	Setback 15°C

Individual programming of events:

The factory-set periods and/or temperatures can be changed according to requirements.

Furthermore, the following programs can be selected:

- 4 events for 5 days and 2 events for days 6+7
- 4 events for 6 days and 2 events for day 7
- 4 events per day

Comfort mode

The room temperature can be temporarily changed for a single event. The comfort mode temperature is reset after a user selected number of hours. The thermostat will then return to the scheduled event program.

Manual mode

The scheduled event program can be cancelled, e.g. during holidays, and the temperature set for frost protection purposes instead, e.g. to 5°C. The new setpoint will remain active until manual mode is cancelled.

TECHNICAL DATA

Supply voltage	230 V AC \pm 10% 50/60 Hz
Output relay SPST	16 A, resistive load or 1 A inductive load
Interrupter	2-pole, 16 A
Temperature range	+5/+40°C
Floor limit range	+5/+40°C
Clock function	4-event program
Battery backup	5 years
Ambient temperature	0/+40°C during operation
On/Off differential	0.4°C
Regulation principle	PWM / PI.
Housing	IP21
External Sensor type	NTC (12 K Ω) 3 m
Dimensions (H/W/D)	115/84/40 mm (20 mm depth)
Display	100x64 pixel STN - White backlight
EU Registered Design	001101349-0001

Approvals:

VDE, BEAB, NEMKO, GOST